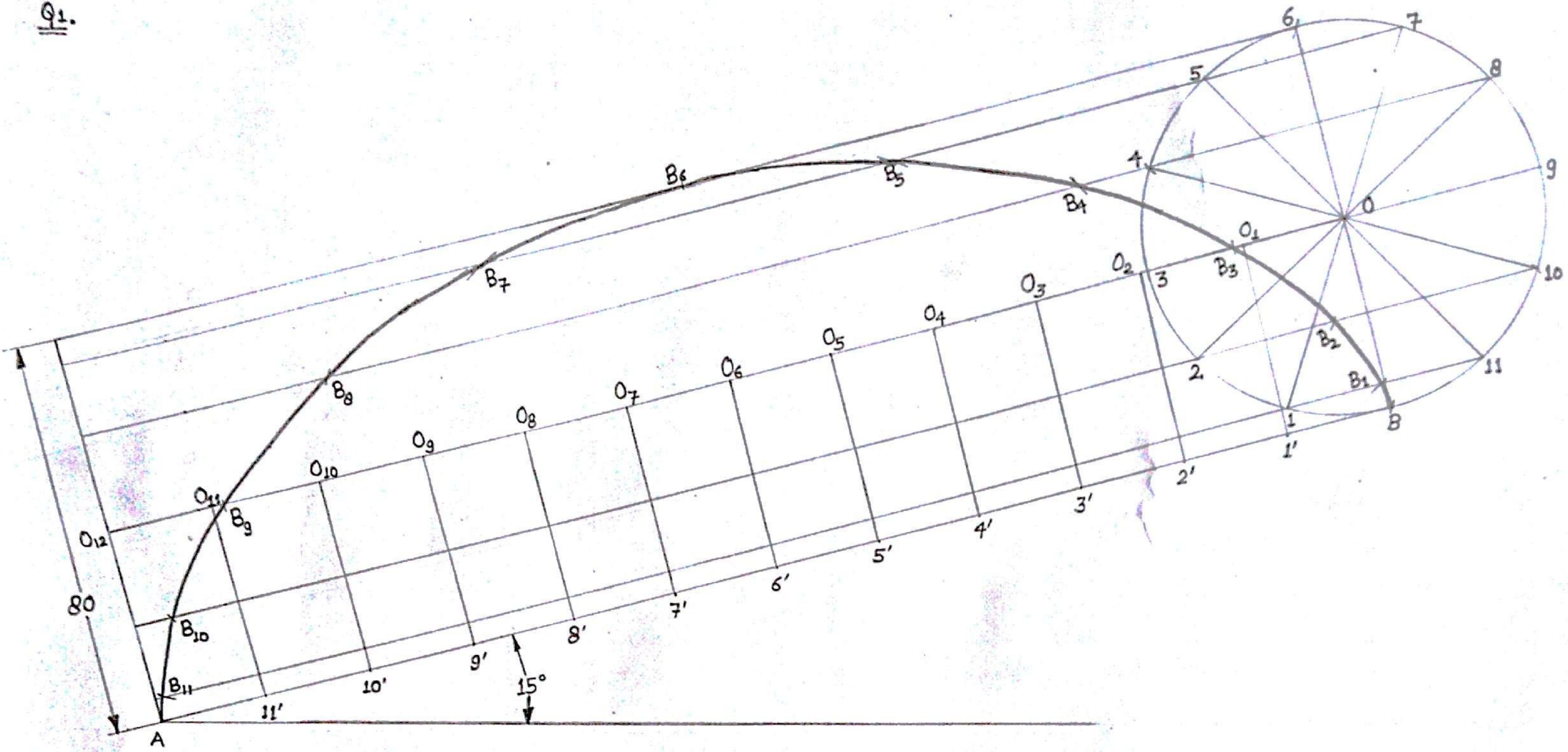
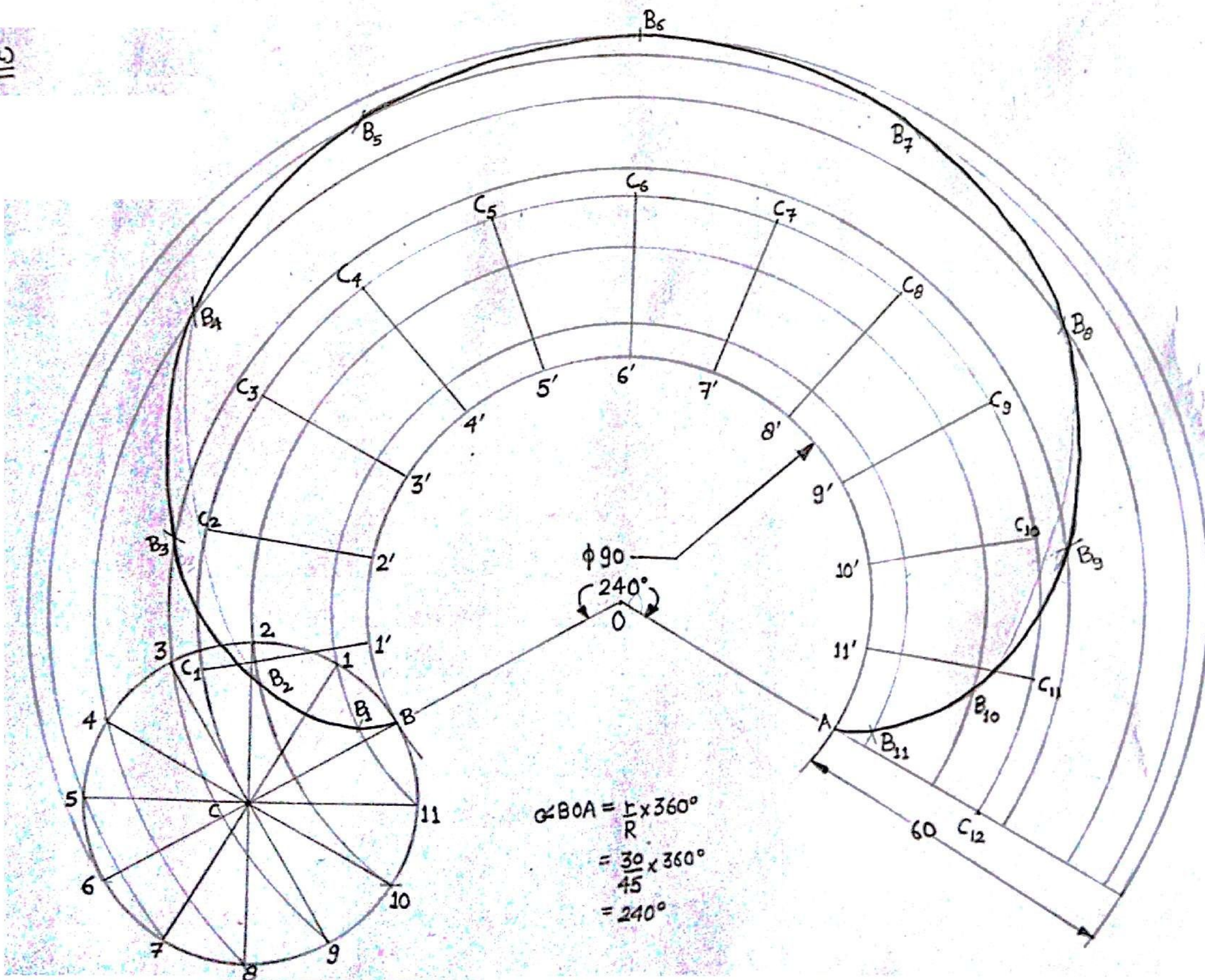


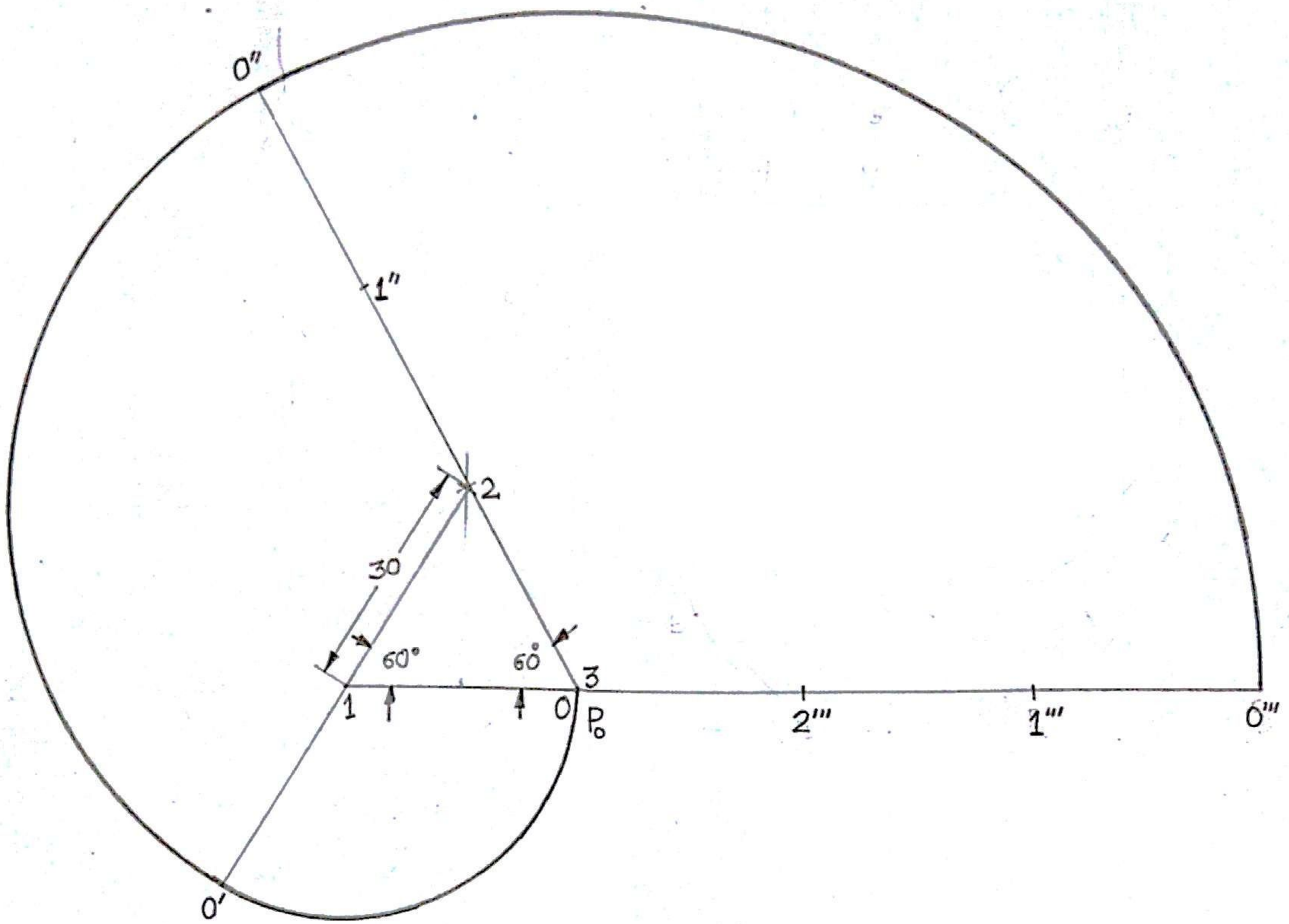
Q1.



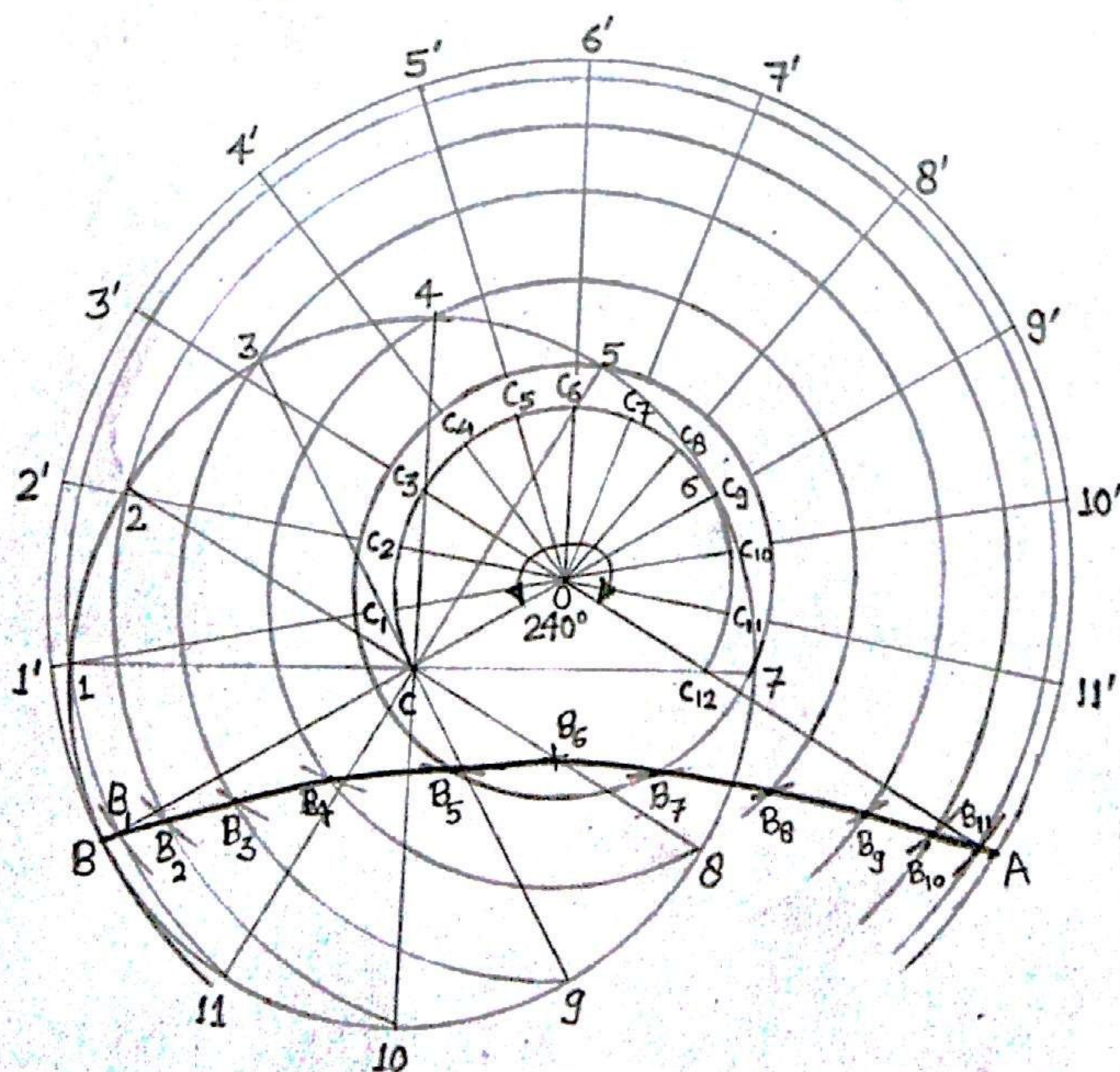
Q2. (a)



Q3.(b)



Q2.(b)



$$\begin{aligned} \angle BOA &= \frac{r}{R} \times 360^\circ \\ &= \frac{30}{45} \times 360^\circ \\ &= 240^\circ \end{aligned}$$

Q3 (a)

