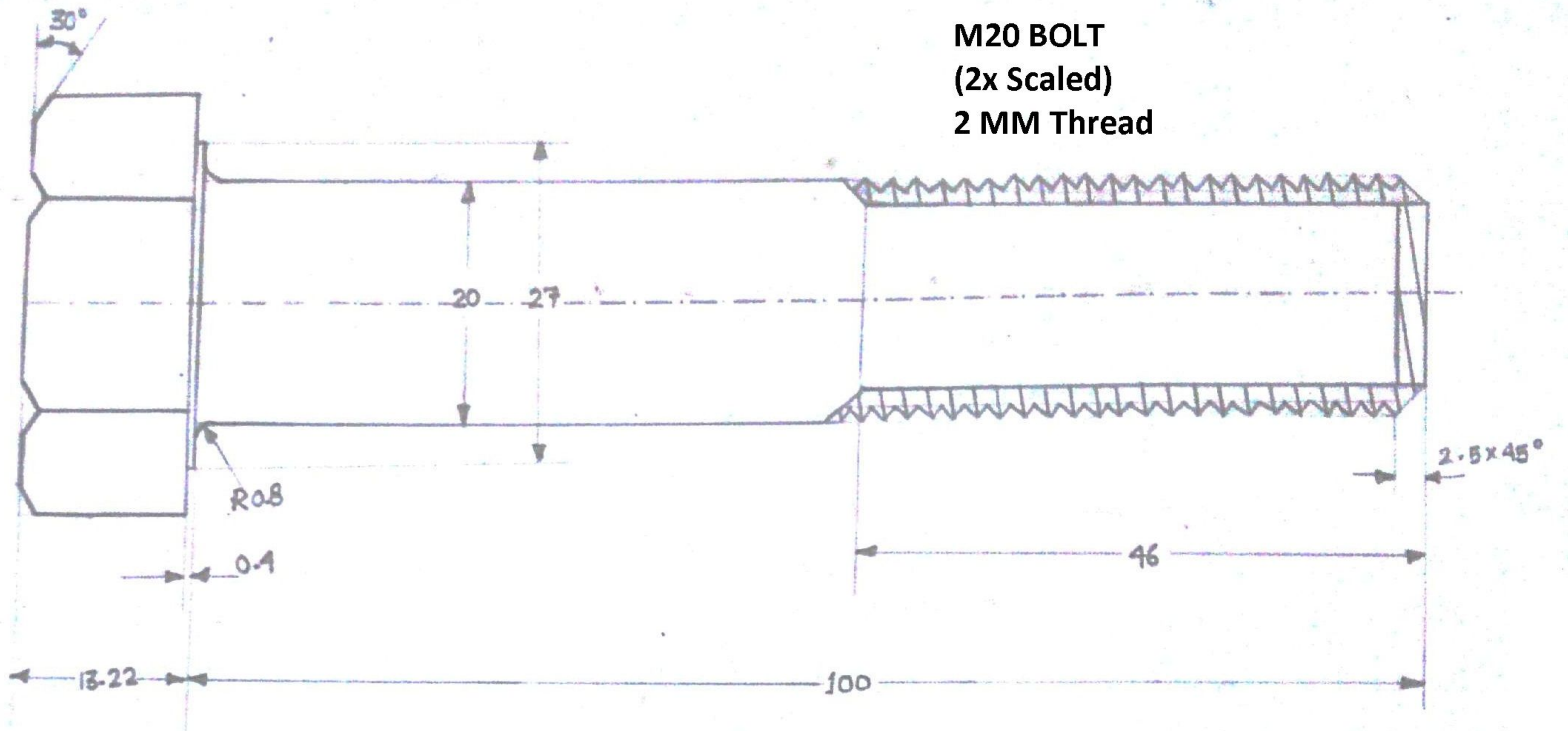
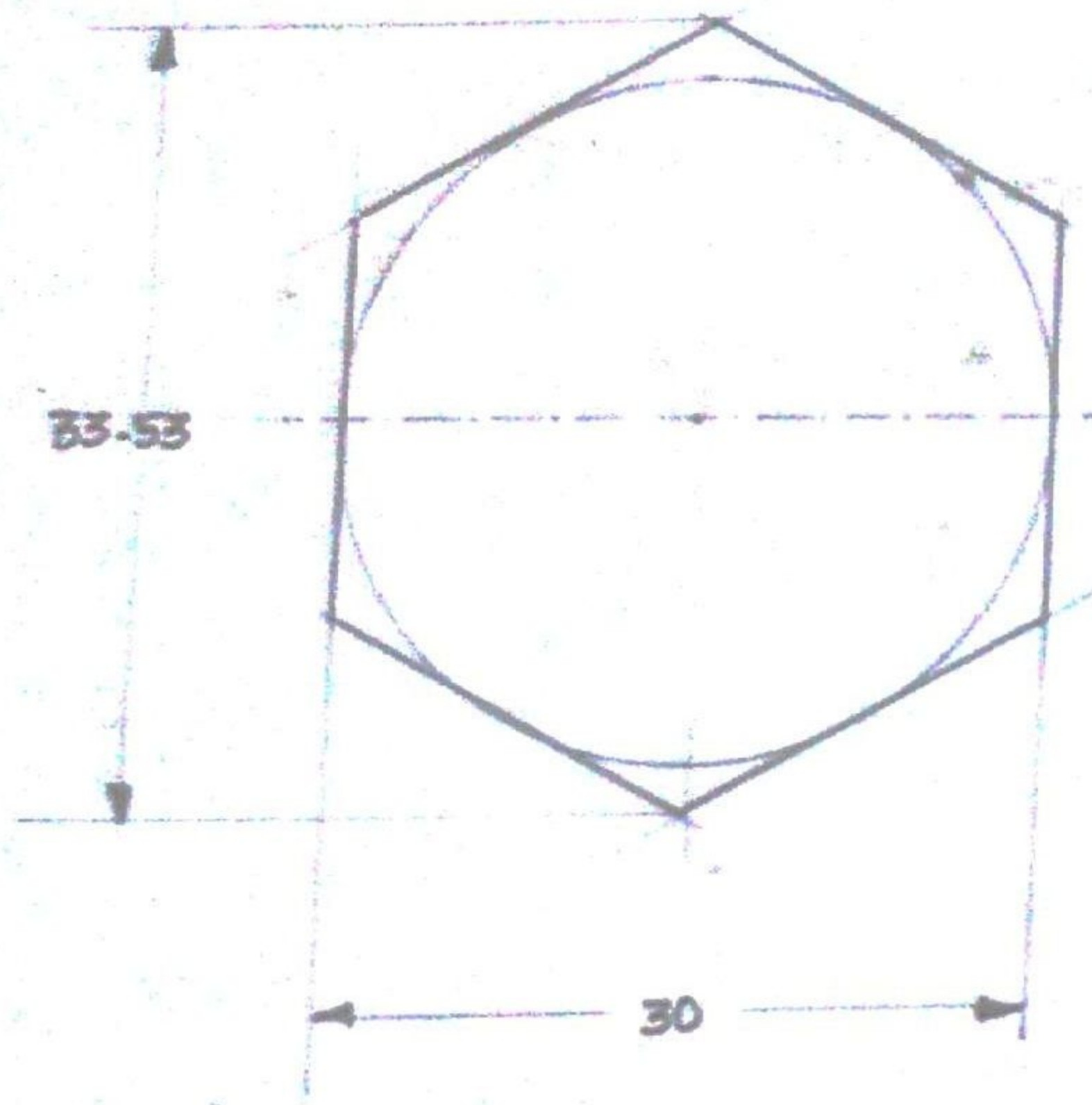
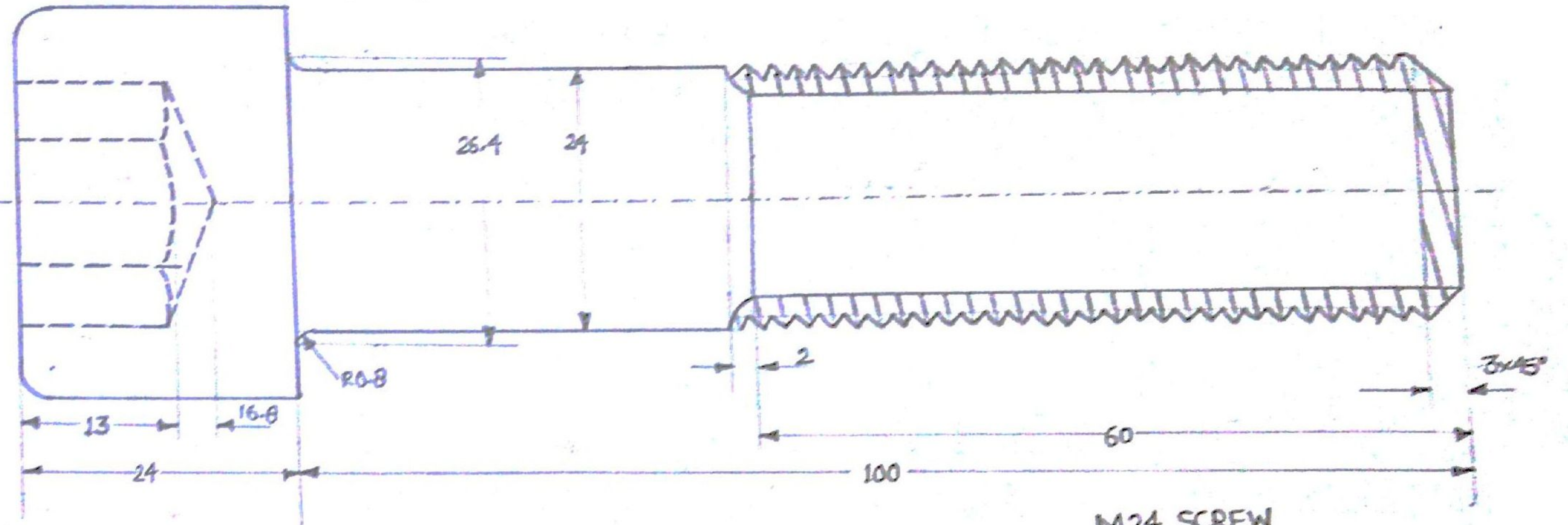
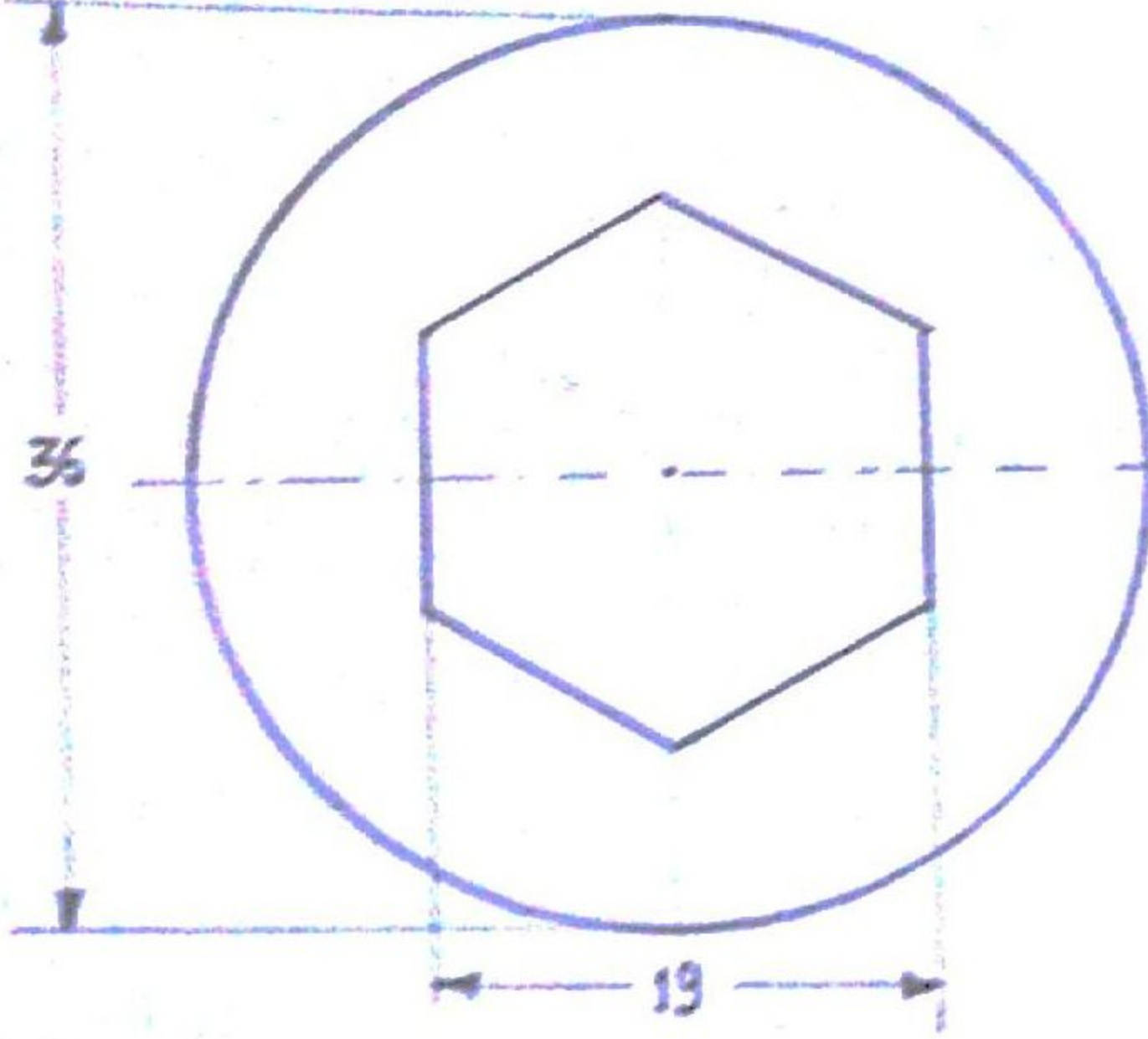


Q1.(i)



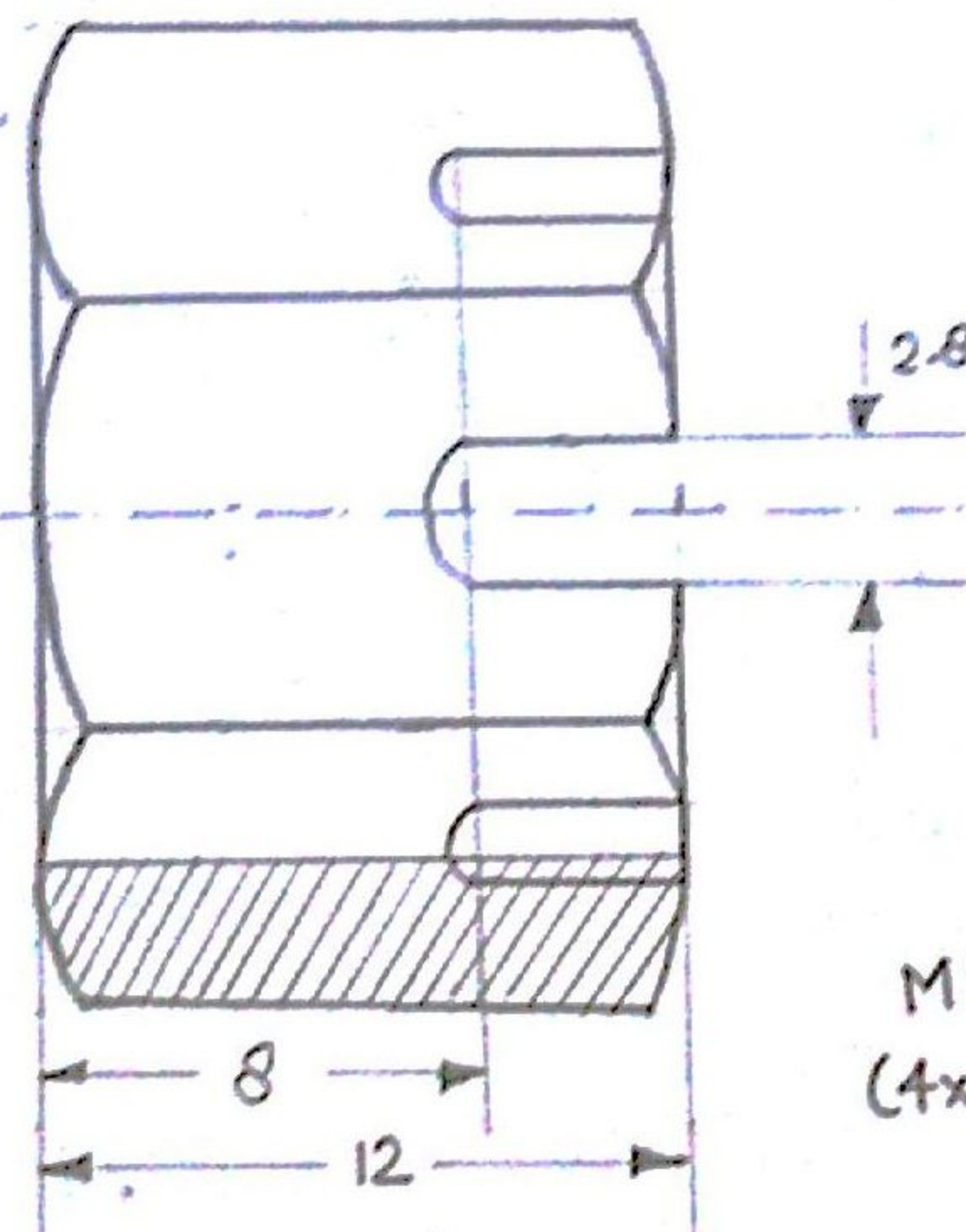
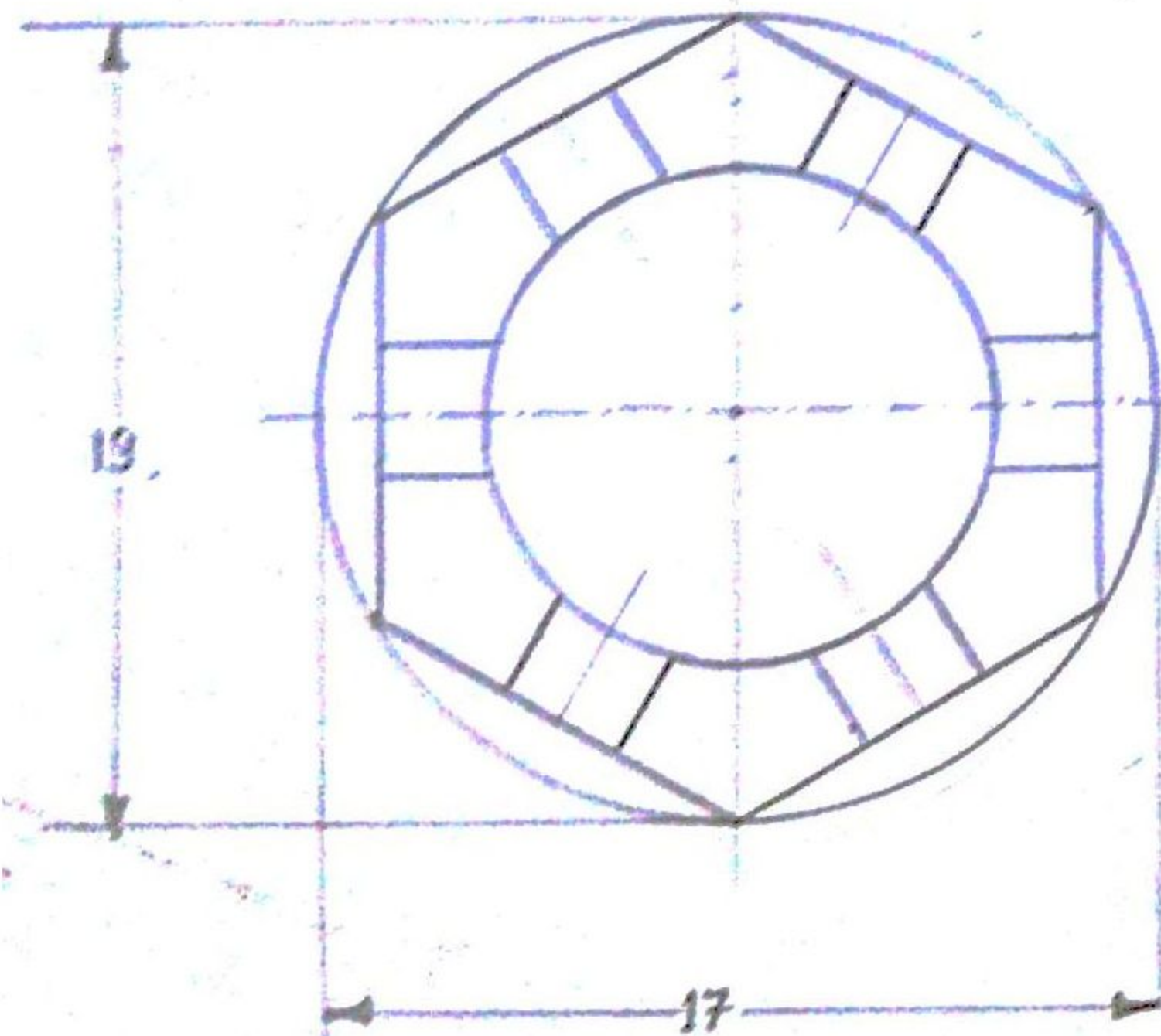
M20 BOLT
(2x Scaled)
2 MM Thread

Q1.(ii)



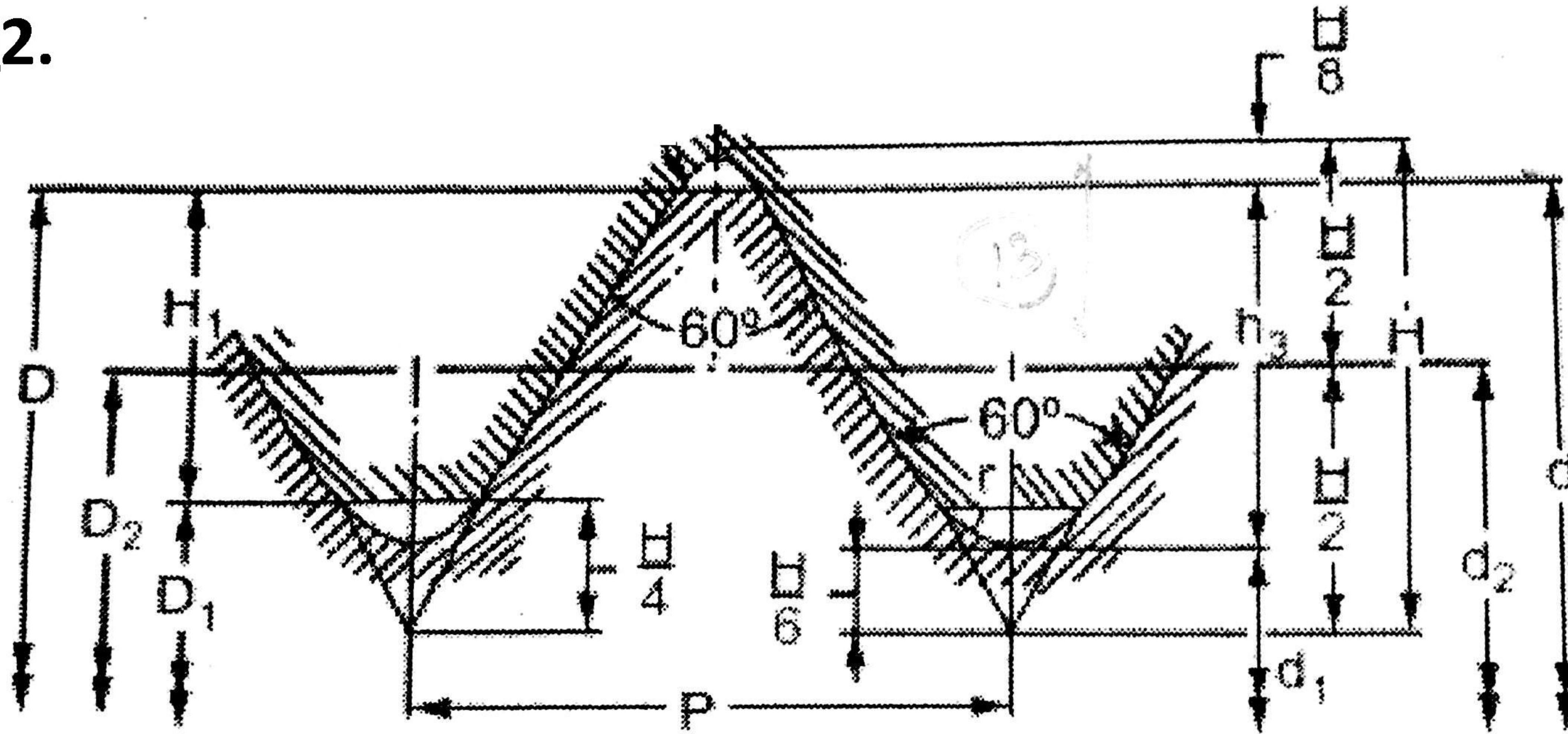
M24 SCREW
(2x SCALED)
2MM-THREAD

Q1.(iii)



M10 NUT
(4x SCALED)

Q2.



Pitch, $P = 3$ mm

$H = 26$ MM