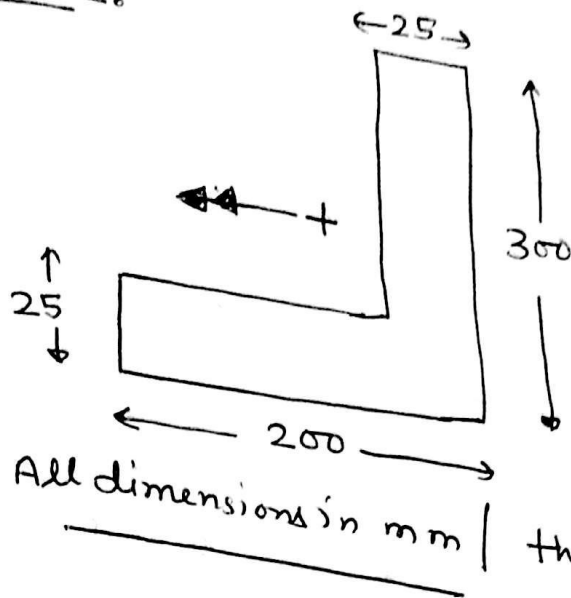
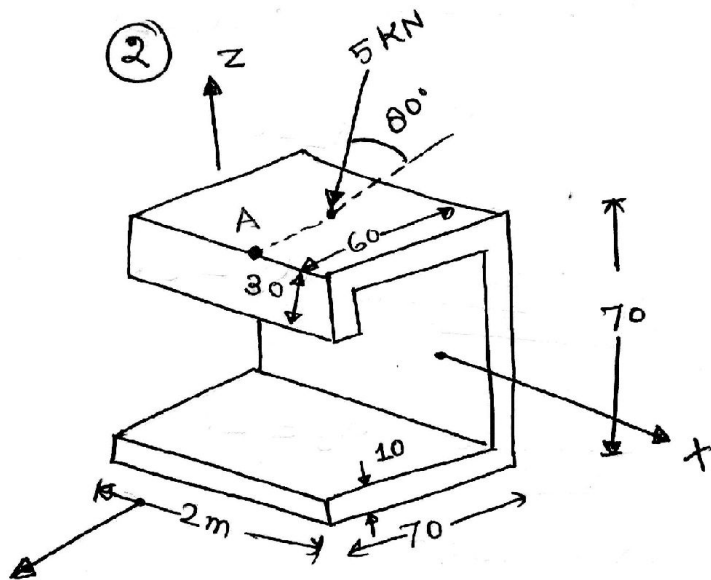


Ques 1:



A beam with cross section as shown in the figure is subjected to pure bending. Calculate the maximum tensile and compressive stress in the beam and determine the neutral axis. The beam is prismatic.



A prismatic simply supported beam as shown in the figure is subjected to a load. The line of action of the load is such that the line of action of the bending moment caused by the load is tangential to the transverse cross section of the beam. Determine the principal stresses at point A.